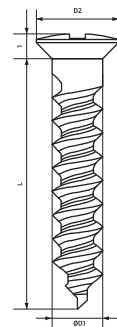


# ORTHOPLATE

## Ahn's Anchorage System



Code	D1	D2	L
AU-16-006	1.6mm		6
AU-16-008	1.6mm		8
AU-16-010	1.6mm		10
AU-18-006	1.8mm	3.0mm	6
AU-18-008	1.8mm		8
AU-18-010	1.8mm		10
AU-20-006	2.0mm		6
AU-20-008	2.0mm		8
AU-20-010	2.0mm		10

### I-Plate A-P-009(B41)

Retraction of anterior teeth on buccal side



### T-Plate A-P-003(B21), A-P-004(B22)

Intrusion of upper anterior teeth



### Palatal Plate A-P-001(P11), A-P-002(P12)

Distalization of upper molars    Retraction of anterior teeth in lingual orthodontics



### Modified L-Plate A-P-007(B32-L), A-P-008(B32-R)

Retraction of lower posterior teeth    Retraction of single molar



### L-Plate A-P-005(B31-L), A-P-006(B31-R)

Intrusion of molars with L-plate

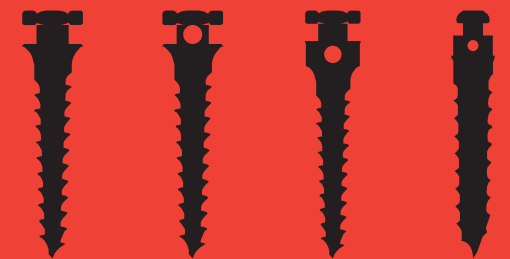


[www.mrcurette.co.kr](http://www.mrcurette.co.kr)

913 / B105 / B107 SKntechno-Park Tech-Center 190  
Sangdaewon-dong, Jungwon-gu, Seongnam-city, Gyeonggi-do 462-721, Korea

Tel \_ 82.31.776.3811  
Fax \_ 82.31.776.3813  
E-mail \_ [mct@mrcurette.co.kr](mailto:mct@mrcurette.co.kr)

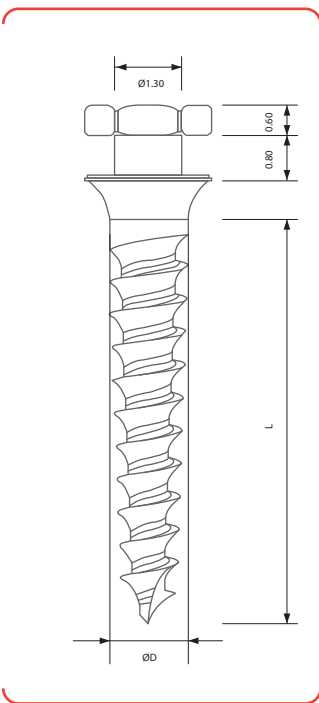
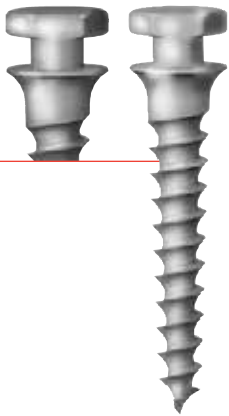
# Oracle ANCHOR SYSTEM



# Oracle ANCHOR SYSTEM

## SA

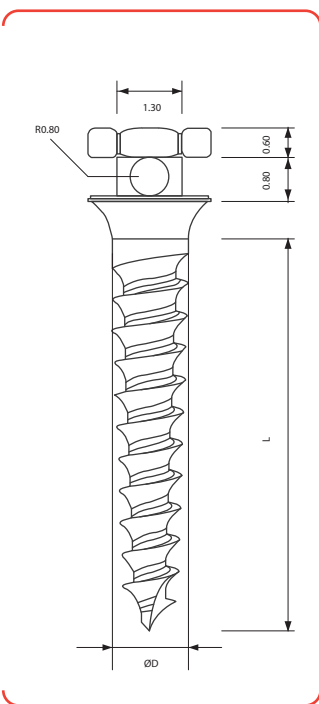
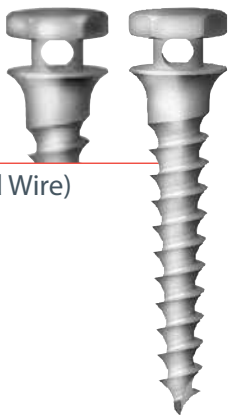
(For Elastic Band)



Code	Diameter	Length
SA-HS-14-006	1.4mm	6
SA-HS-14-008	1.4mm	8
SA-HS-14-010	1.4mm	10
SA-HS-16-006	1.6mm	6
SA-HS-16-008	1.6mm	8
SA-HS-16-010	1.6mm	10
SA-HS-18-006	1.8mm	6
SA-HS-18-008	1.8mm	8
SA-HS-18-010	1.8mm	10

## OS

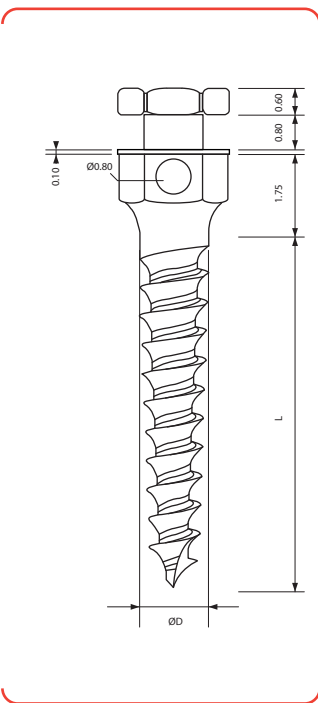
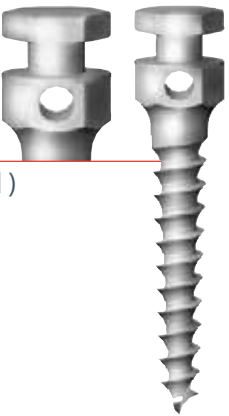
(For Elastic Band and Wire)



Code	Diameter	Length
OS-HS-14-006	1.4mm	6
OS-HS-14-008	1.4mm	8
OS-HS-14-010	1.4mm	10
OS-HS-16-006	1.6mm	6
OS-HS-16-008	1.6mm	8
OS-HS-16-010	1.6mm	10
OS-HS-18-006	1.8mm	6
OS-HS-18-008	1.8mm	8
OS-HS-18-010	1.8mm	10

## OA

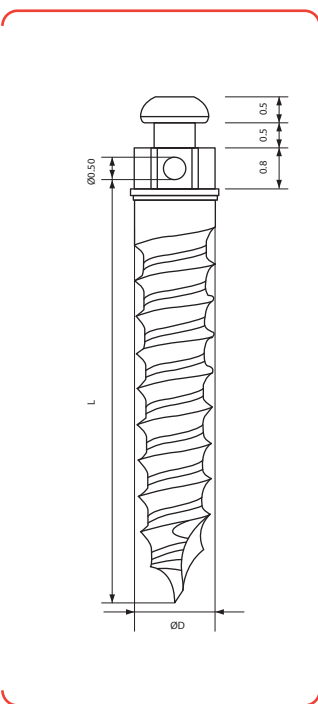
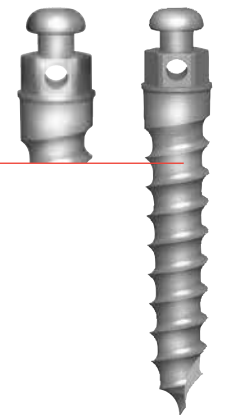
(For Elastic Band and )



Code	Diameter	Length
OA-4-14-006	1.4mm	6
OA-4-14-008	1.4mm	8
OA-4-14-010	1.4mm	10
OA-4-16-006	1.6mm	6
OA-4-16-008	1.6mm	8
OA-4-16-010	1.6mm	10
OA-4-18-006	1.8mm	6
OA-4-18-008	1.8mm	8
OA-4-18-010	1.8mm	10

## Tiny

(Small Head)



Code	Diameter	Length
THS-12-006	1.2mm	6
THS-12-008	1.2mm	8
THS-14-006	1.6mm	6
THS-14-008	1.6mm	8
THS-14-010	1.6mm	10
THS-16-006	1.6mm	6
THS-16-008	1.6mm	8
THS-16-010	1.6mm	10

## Instrument



TOS-01 Master Kit



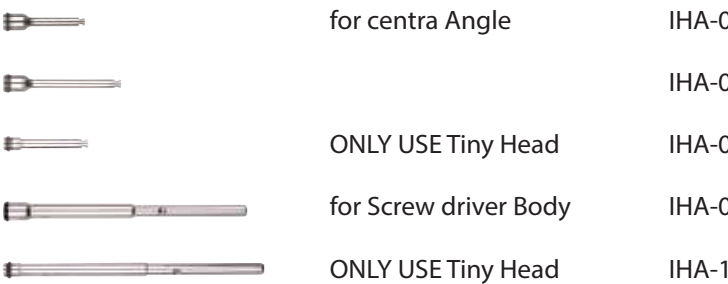
SA Kit OS Kit OA Kit Tiny Kit

## Driver Body



SDH-01 SDH-01

## Driver Shaft



for centra Angle IHA-01  
IHA-02  
ONLY USE Tiny Head IHA-09  
for Screw driver Body IHA-03  
ONLY USE Tiny Head IHA-10

## Drill



$\phi 1.0$  PD - 1.0  
 $\phi 1.2$  PD - 1.2  
 $\phi 1.4$  PD - 1.3  
 $\phi 1.6$  PD - 1.4